

WARRANTY & RATING



SPECIFICATIONS

- Wattage: 2.5W
- Voltage: AC 120-277V
- Luminous Flux: 150lm
- Beam Angle: 30°
- Color Rendering Index (CRI): >90
- Lifespan: 30,000hrs
- Light Source: LED
- Color Temperature (CCT): 2700K / 3000K / 4000K selectable
- Waterproof Rating: IP65
- Operating Temperature: -4°F-104°F
- Material: Zinc Alloy

PRODUCT DESCRIPTION

LEONLITE's 120V-277V LED Step Lights are perfect for professional settings, featuring durable, corrosion-resistant zinc alloy and a hidden light source design for glare reduction. With a high CRI of 90 and three selectable color temperatures, these dimmable lights are versatile for both indoor and outdoor spaces.

FEATURES & BENEFITS

- Professional-Grade High Voltage: 120V-277V adaptability for diverse commercial settings.
- Durable Zinc Alloy Construction: Ideal for corrosive coastal environments, wear-resistant.
- Dimmable with Anti-Glare Design: Customizable brightness, comfortable downward lighting for steps and walls.
- Three Selectable Color Temperatures: 2700K/3000K/4000K options for varied ambiance settings.
- High CRI for True Color: CRI90 for vivid, natural color rendering in both residential and commercial use.

POWER AND ELECTRICAL FEATURES

- ETL and T24 certified for safety and energy efficiency, this product operates on a versatile AC 120V-277V voltage range and maintains a current of 0.025A.
- Wiring and Plug: Features a UL-certified 18AWG UL1015 tinned copper wire and P3 spiral wire caps for secure and reliable connections.

DESIGN AND STRUCTURE

- Material: Made of zinc alloy, ideal for high-corrosion coastal areas, featuring a heavy, smooth, and wear-resistant cast surface. Available in Oil Rubbed Bronze and White finishes.
- Voltage Compatibility: Seamlessly integrates with commercial voltages (120V-277V), making it suitable for a variety of indoor and outdoor commercial spaces, particularly for low steps and walls.
- Design: Features a concealed light source for anti-glare illumination, enhancing safety and comfort.

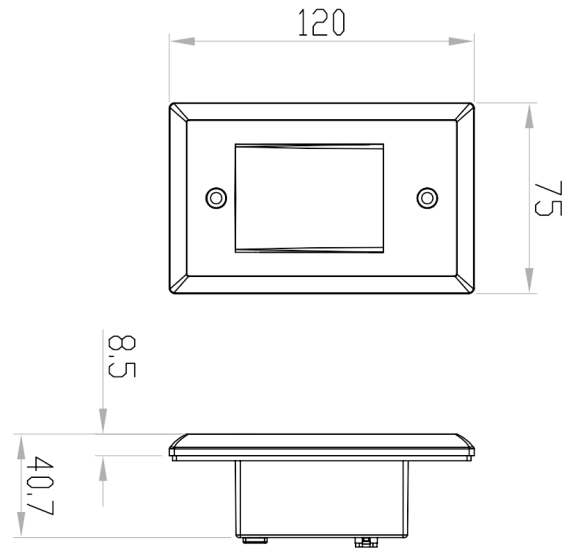
ADDITIONAL COMPONENTS

- Screws: Each unit includes 2 stainless steel screws for secure installation.
- Wire Caps: Comes with 3 waterproof wire caps, ensuring safe and durable electrical connections.
- Plastic Plugs: Includes 2 plastic plugs per unit for a neat finish.
- EVA Foam: Each light is equipped with EVA foam, pre-installed for easy setup.

LED AND OPTICAL PERFORMANCE

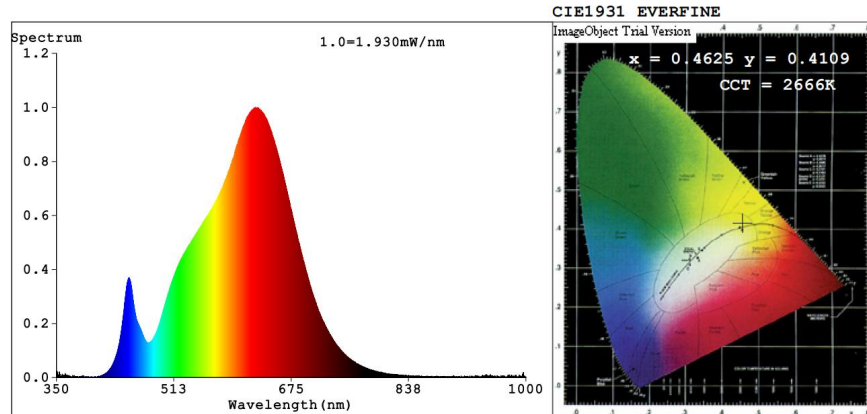
- Dimming Capability: Offers 10-100% dimming range at 120V, compatible with various dimmer models including LEVITON (6161-A, IPL06-10Z, IPIO-1LZ, IPI06-1LZ, 6674, 6633-POG, 6681, 6151, 6633-I) and LUTRON (MACL-153MR-WH, MACL-153P, TGCL-153P, SCL-153PR-WH, SCL-153-LA, DVCL-153P, CTCL-153P, LGCL-153P, N-600, S-603PG-WH, CTELV-303P-WH).
- LED Specifications: Equipped with 12 SMD 2835 LEDs, offering a high CRI of ≥ 90 and 3 CCT (2700K/3000K/4000K) options for versatile color temperature selection.

PRODUCT DIAGRAM



Size in mm
1" = 25.4mm.

PHOTOMETRICS (2700K)



Color Parameters:

Chromaticity Coordinate: $x=0.4625$ $y=0.4109$ $u'=0.2641$ $v'=0.5278$
 CCT=2666K (Duv=-0.0001) Dominant WL:Ld =584.4nm Purity=62.2%
 Ratio:R=26.8% G=71.1% B=2.1% Peak WL:Lp=625.6nm FWHM=149.7nm
 Render Index:Ra=92.9 CRI=90.2 AvgR=90.2
 R1 =94 R2 =95 R3 =95 R4 =94 R5 =93 R6 =94 R7 =93
 R8 =85 R9 =65 R10=88 R11=95 R12=82 R13=94 R14=96 R15=90

Photo Parameters:

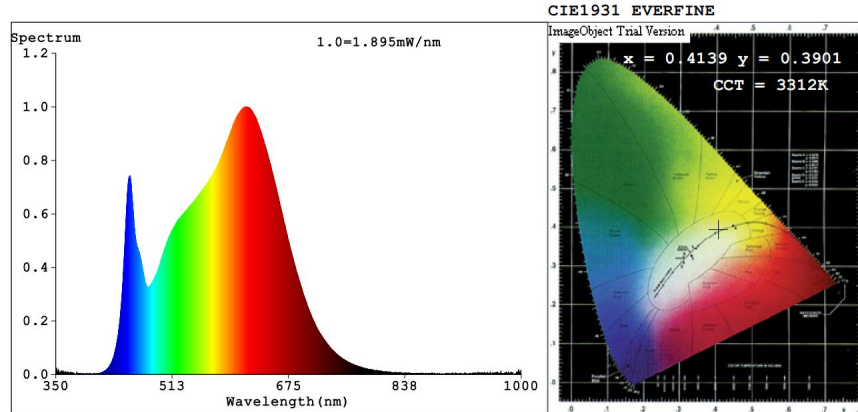
Flux = 86.15 lm Eff. : 32.16 lm/W Fe = 312.6 mW

Electrical parameters:

V = 120.77 V I = 0.02420 A P = 2.679 W PF = 0.9164
 LEVEL:OUT WHITE:ANSI_2700K

Status: Integral T = 195 ms Ip = 39991 (61%)

PHOTOMETRICS (3000K)



Color Parameters:

Chromaticity Coordinate: $x=0.4139$ $y=0.3901$ $u'=0.2416$ $v'=0.5123$
 CCT=3312K (Duv=-0.0020) Dominant WL:Ld =582.4nm Purity=41.3%
 Ratio:R=23.0% G=73.3% B=3.7% Peak WL:Lp=616.7nm FWHM=168.6nm
 Render Index:Ra=94.2 CRI=92.0 AvgR=92.0
 R1 =96 R2 =99 R3 =98 R4 =94 R5 =95 R6 =96 R7 =91
 R8 =84 R9 =64 R10=97 R11=96 R12=81 R13=97 R14=100 R15=92

Photo Parameters:

Flux = 98.97 lm Eff. : 39.44 lm/W Fe = 338.4 mW

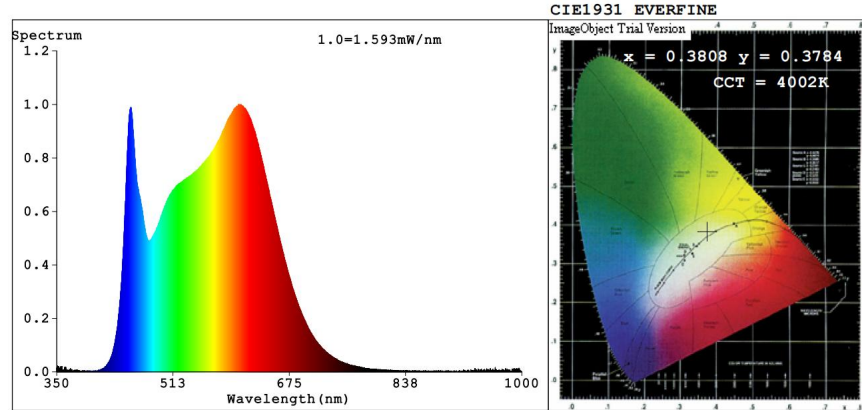
Electrical parameters:

V = 120.80 V I = 0.02289 A P = 2.509 W PF = 0.9074
 LEVEL:OUT WHITE:ANSI_3500K

Status: Integral T = 195 ms Ip = 40862 (62%)

Note: Observed color temperature at 3312K due to anti-glare design (frosted lens and diffusion panel). Actual LED color temperature is 3000K.

PHOTOMETRICS (4000K)



Color Parameters:

Chromaticity Coordinate: $x=0.3808$ $y=0.3784$ $u'=0.2247$ $v'=0.5024$
 CCT=4002K (Duv=0.0007) Dominant WL:Ld =578.7nm Purity=27.8%
 Ratio:R=19.8% G=75.4% B=4.8% Peak WL:Lp=604.2nm FWHM=178.6nm
 Render Index:Ra=91.7 CRI=88.6 AvgR=88.6
 R1 =93 R2 =99 R3 =96 R4 =90 R5 =93 R6 =96 R7 =89
 R8 =78 R9 =49 R10=96 R11=93 R12=76 R13=95 R14=98 R15=88

Photo Parameters:

Flux = 92.23 lm Eff. : 35.48 lm/W Fe = 298.9 mW

Electrical parameters:

V = 120.81 V I = 0.02356 A P = 2.600 W PF = 0.9133
 LEVEL:OUT WHITE:ANSI_4000K

Status: Integral T = 195 ms Ip = 35069 (54%)

Dual-Purpose Step and Deck Lights

Slim and safe, dual-purpose low-voltage lighting for steps and decks.



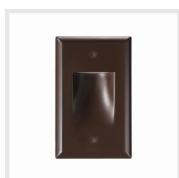
Tende Orizzontali Step & Deck Light



Retro Baffle Step & Deck Light

277V Compatible Commercial Step Lighting

Seamlessly integrates with commercial voltages.



ZincTech Commercial Upright Gradience Step & Deck Light



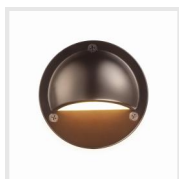
ZincTech Commercial Parallel Gradience Step & Deck Light



ZincTech Commercial Louvered Step & Deck Light

Classic Glow Series

Retro design meets modern lighting.



Semisfera Deck & Rail Light



Quadrifoglio Deck & Rail Light



Pro Parallel Retro Louvered Step & Deck Light

Modern Elegance Series

Blending utility with modern aesthetics.



Affusolato Deck & Rail Light



Nova Deck & Rail Light



Vertebre Deck & Rail Light

All Color Options

some models may have limited choices.



Satin Nickel



Matte Black



Oiled Rubbed Bronze

Compatible Accessories



Outdoor Transformer, AC to DC, 12V 60W, Timer & Photocell



Outdoor Transformer, AC to DC, 12V 100W, Timer & Photocell



Outdoor Transformer, AC to DC, 12V 120W, Timer & Photocell



Waterproof Wire Nuts - Large (For terminals/multiple connections, fits 12AWG - 22AWG, up to 8 wires of 16/2)



Waterproof Wire Nuts - Medium (Fits 14AWG - 22AWG, up to 3 wires of 16/2)



Low Voltage Landscape Lighting Cable, 16/2

Note: Also available in 10/2, 12/2, 14/2 sizes.



Landscape Light Wire Connector (14-16 AWG Compatible)



EasyConnect Wire Connector (14-16 AWG Compatible)