



WARRANTY & RATING



SPECIFICATIONS

- Wattage: 5W
- Voltage: 12V-15V AC/DC
- Luminous Flux: 400lm
- Beam Angle: 150°
- Color Rendering Index (CRI): Ra≥80
- Lifespan: 50,000hrs
- Light Source: LED
- Color Temperature (CCT): Available in 3000K and 5000K models
- Waterproof Rating: IP65
- Operating Temperature: -13°F-104°F
- Material: Die-casting aluminum

PRODUCT DESCRIPTION

Our LEONLITE LED Pathway Lights deliver consistent, energy-efficient lighting with a unique design that directs brightness precisely where you need it, ensuring a clear path without disturbing the surroundings.

FEATURES & BENEFITS

- Single-side light emission for clear path delineation.
- 12-15V AC/DC low voltage for safe outdoor use.
- 400-lumen brightness enhances pathways and driveways.
- IP65 waterproof, rust-resistant aluminum for longevity.
- Simple installation process, up to 50,000 hours lifespan.

POWER AND ELECTRICAL FEATURES

- Operates on a versatile low voltage range of 12V-15V AC/DC, accommodating various power supplies.
- Comes with a 3.28-foot (1 meter) long wire, ensuring flexible placement and connectivity.

DESIGN AND STRUCTURE

- Features a unique shovel-shaped top cover that directs light to one side only, perfect for pathway illumination and highlighting the contrast between light and shadow.
- The design ensures that light is focused where needed without spilling over, preserving the effect of other landscape lighting.

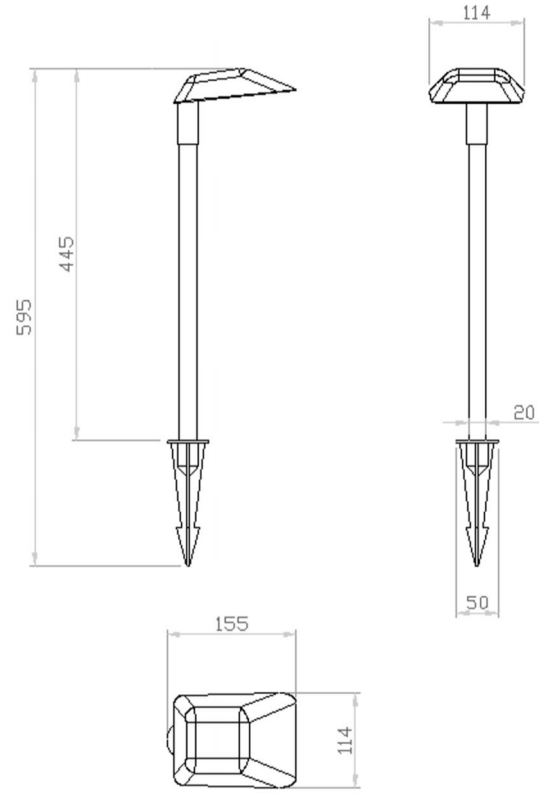
ADDITIONAL COMPONENTS

- all-in-one lighting solution, No extra component.

LED AND OPTICAL PERFORMANCE

- Includes six high-performance SMD LEDs, offering a balanced combination of efficiency and brightness.
- This light fixture is available in two distinct models, offering a choice of either a warm 3000K or a bright 5000K color temperature, each with a strong luminous output of 400lm to effectively illuminate pathways and features.

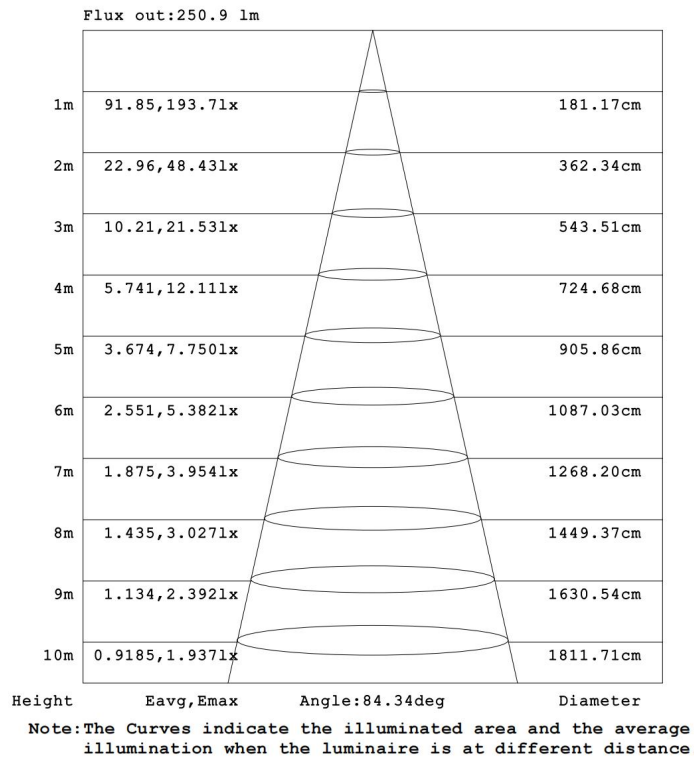
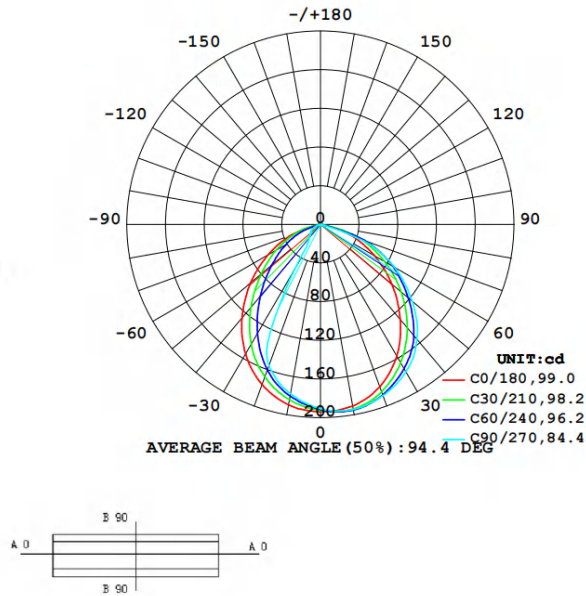
PRODUCT DIAGRAM



Size in mm
 1" = 25.4mm.

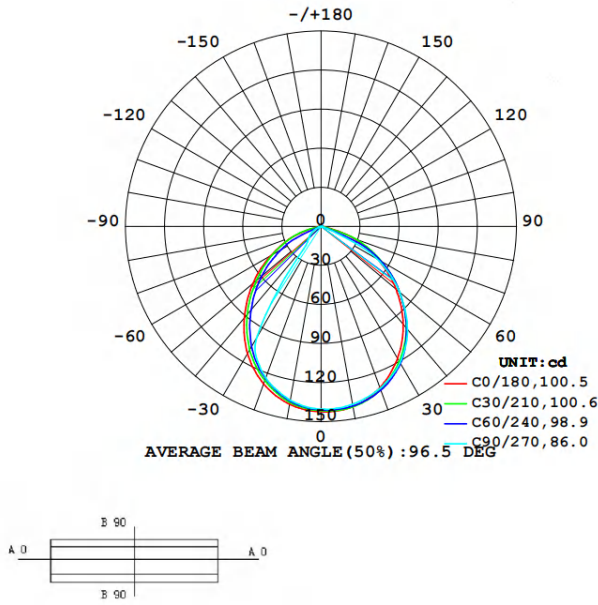
PHOTOMETRICS(3000K MODEL)

LUMINOUS INTENSITY DISTRIBUTION DIAGRAM

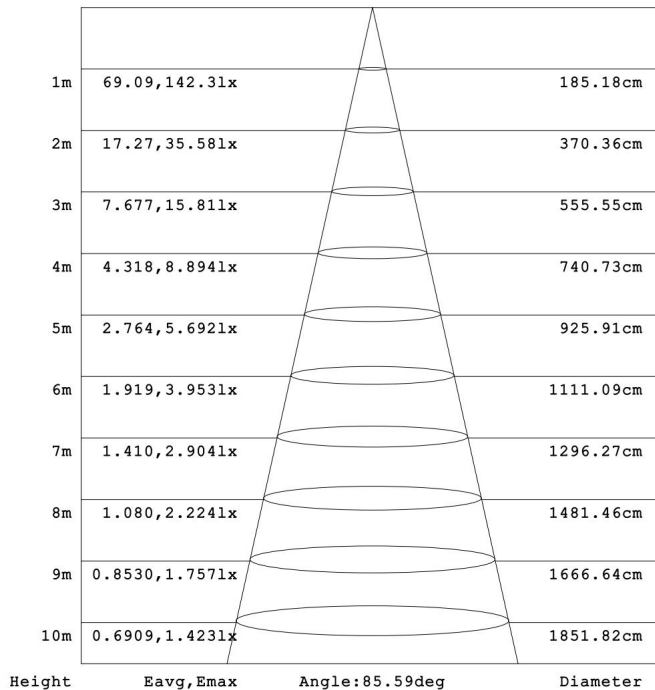


PHOTOMETRICS(5000K MODEL)

LUMINOUS INTENSITY DISTRIBUTION DIAGRAM



Flux out: 188.7 lm



Note: The Curves indicate the illuminated area and the average illumination when the luminaire is at different distance.

360° GentleGlow

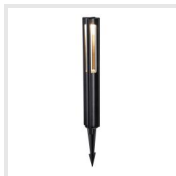
Soft, all-around lighting for expansive landscape enhancement.



Piramide del Tempio LED Path Light



O-ring Unico/Colorato LED Path Light



Stella Bitta LED Path Light

EdgeGlow OneWay Light

Precise, one-sided illumination for clear path lighting without overspill.



Crescente LED Path Light



Escavatori LED Path Light



Petali Rovesciato LED Path Light

NatureDots FlexGarden Light

Brighten gardens and paths, ground or surface mount.



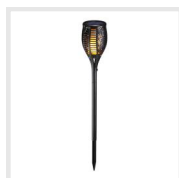
Emisferi Sky-up LED Path Light

Designer Crafted Landscape Lighting

Function meets art, illuminating spaces with stylish, decorative designs.



Fulmine Gold LED Path Light



Luce Fiamma LED Path Light



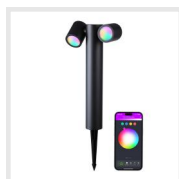
Quadra Rotondo LED Path Light

SmartLink

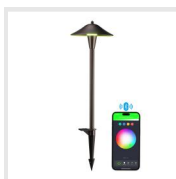
Wireless control for easy, smart outdoor lighting.



O-ring Colorato LED Path Light - Smart Control



XGEN™ Dual-spot LED Path Light



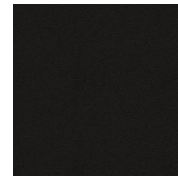
XGEN™ Smart LED Path Light

All Color Options

some models may have limited choices.



Brass Yellow



Ebony Black



oiled rubbed bronze

Compatible Accessories



Outdoor Transformer, AC to DC, 12V 60W, Timer & Photocell



Outdoor Transformer, AC to DC, 12V 100W, Timer & Photocell



Outdoor Transformer, AC to DC, 12V 120W, Timer & Photocell



LeonLite® Waterproof Wire Nuts - Large



LeonLite® Waterproof Wire Nuts - Medium



Low Voltage Landscape Lighting Cable, 100ft, 16/2



LeonLite® Landscape Light Wire Connector



LeonLite® EasyConnect Wire Connector