

WARRANTY & RATING



SPECIFICATIONS

- Wattage: 2.3W
- Voltage: AC/DC 12-36V
- Luminous Flux: 170lm
- Beam Angle: 120°
- Color Rendering Index (CRI): 80
- Lifespan: 50000H
- Light Source: LED
- Color Temperature (CCT): 3000K
- Waterproof Rating: IP65
- Operating Temperature: -4°F to 113°F (-20°C to 45°C)
- Material: Die-casted aluminum

PRODUCT DESCRIPTION

LED Low Voltage Deck & Rail Lights deliver consistent, low-maintenance lighting in a classic design with anti-glare downlight for ambiance. Versatile 4-inch width fits US fences, posts, and steps; available in Matte Brown, Brass Yellow, Matte Black, Satin Nickel, supporting 12-36VACDC for optimal power without voltage drop.

FEATURES & BENEFITS

- Classic design, frosted glass for glare-free ambient light
- 12-36VACDC range supports various power, minimizes drop
- 4-inch wide for American fences, stair posts, steps
- Matte Brown, Brass Yellow, Matte Black, Satin Nickel match decor
- ETL certified, IP65 waterproof for safety, weather resistance

POWER AND ELECTRICAL FEATURES

- The product, ETL certified for safety in North American standards, supports AC/DC 12-36V operation, which maximizes voltage support to effectively minimize voltage drop.
- Wires and plugs are UL listed, with brass material ensuring durability and waterproof wire nuts for secure connections; the wire is specified as SPT-2W AWG 18# rated for up to 105°C, with a length of 3.94 feet.

DESIGN AND STRUCTURE

- The housing is crafted from die-cast aluminum for excellent sealing against water and corrosion resistance, available in Matte Brown, Brass Yellow, Matte Black, and Satin Nickel finishes to suit various design preferences.
- At approximately 4 inches wide, it's ideal for mounting on American fences, stair posts, and steps, blending seamlessly into outdoor environments.

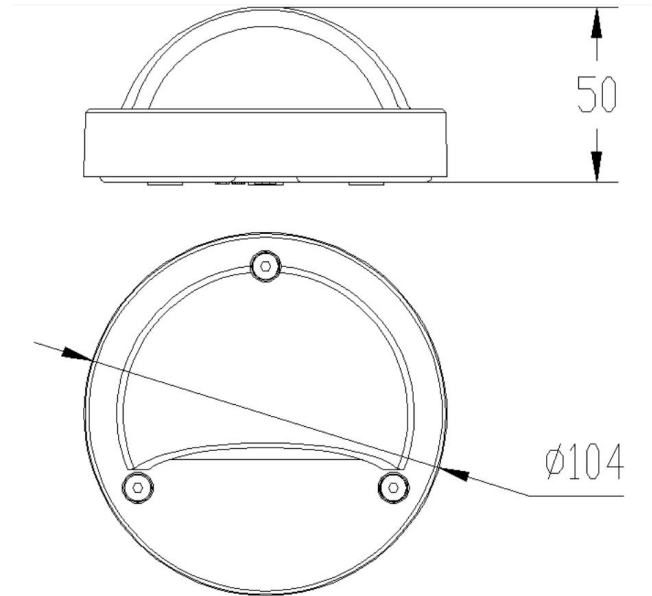
ADDITIONAL COMPONENTS

- Three backplate screws and washers for stable attachment.
- Three expansion screws to ensure a firm mount.
- Three stainless steel, Phillips head exposed screws, coordinated in color with the light fixture.
- Two waterproof wire nuts provided for secure and safe electrical connections.
- One mounting template included for accurate installation.

LED AND OPTICAL PERFORMANCE

- This lighting solution features 18 SMD 2835 LED beads with a color rendering index (CRI) of 80, offering good color fidelity for outdoor applications.

PRODUCT DIAGRAM



Size in mm
1" = 25.4mm.

Dual-Purpose Step and Deck Lights

Slim and safe, dual-purpose low-voltage lighting for steps and decks.



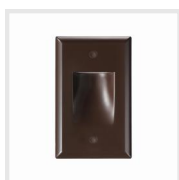
Tende Orizzontali Step & Deck Light



Retro Baffle Step & Deck Light

277V Compatible Commercial Step Lighting

Seamlessly integrates with commercial voltages.



ZincTech Commercial Upright Gradience Step & Deck Light



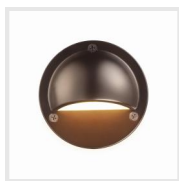
ZincTech Commercial Parallel Gradience Step & Deck Light



ZincTech Commercial Louvered Step & Deck Light

Classic Glow Series

Retro design meets modern lighting.



Semisfera Deck & Rail Light



Quadrifoglio Deck & Rail Light



Pro Parallel Retro Louvered Step & Deck Light

Modern Elegance Series

Blending utility with modern aesthetics.



Affusolato Deck & Rail Light



Nova Deck & Rail Light



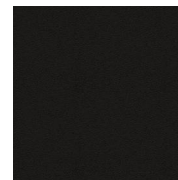
Vertebre Deck & Rail Light

All Color Options

some models may have limited choices.



Satin Nickel



Matte Black



Oiled Rubbed Bronze

Compatible Accessories



Outdoor Transformer, AC to DC, 12V 60W, Timer & Photocell



Outdoor Transformer, AC to DC, 12V 100W, Timer & Photocell



Outdoor Transformer, AC to DC, 12V 120W, Timer & Photocell



Waterproof Wire Nuts - Large (For terminals/multiple connections, fits 12AWG - 22AWG, up to 8 wires of 16/2)



Waterproof Wire Nuts - Medium (Fits 14AWG - 22AWG, up to 3 wires of 16/2)



Low Voltage Landscape Lighting Cable, 16/2

Note: Also available in 10/2, 12/2, 14/2 sizes.



Landscape Light Wire Connector (14-16 AWG Compatible)



EasyConnect Wire Connector (14-16 AWG Compatible)